



# ECX00013T1/T2 ECX00014T1/T2

OWNER'S MANUAL

# RUCKUS 1:24 4WD MONSTER TRUCK TORMENT 1:24 4WD SHORT COURSE TRUCK

## Notice

All instructions, warranties and other collateral documents are subject to change at the sole discretion of Horizon Hobby, LLC. For up-to-date product literature, visit [horizonhobby.com](http://horizonhobby.com) and click on the support tab for this product.

## Meaning of Safety Signal Words

The following terms are used throughout the product literature to indicate various levels of potential harm when operating this product:

**NOTICE:** Instructions, which if not followed, create a possibility of property damage AND minor injury.

**CAUTION:** Instructions, which if not followed, create the probability of property damage AND a possibility of injury.

**CAUTION:** Read and follow all instructions and warnings in the manual prior to setup or use. Failure to operate the product correctly can result in damage to the product, personal property and/or injury.

This is a sophisticated hobby product. It must be operated with caution and common sense and requires some basic mechanical ability. Do not attempt disassembly, use with incompatible components or augment the product in any way without the approval of Horizon Hobby, LLC.

**Age Recommendation: Not for children under 14 years. This is not a toy.**

## Operating Safety Precautions

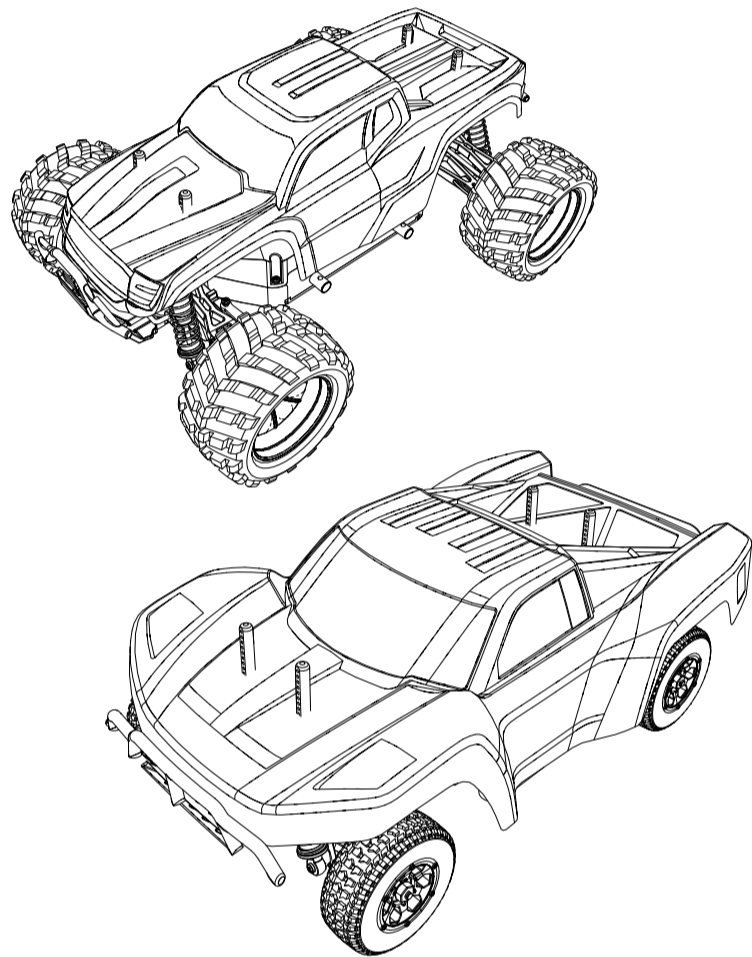
- As the user of this product, you are responsible for operating it safely, not endangering yourself and others, or damaging the product or the property of others.
- Operate your product in open spaces away from people and property.
- Never operate your product with damaged electrical components.
- Keep the transmitter powered on while model is powered on.
- Let parts cool after use before touching, motors will get hot in use.
- Remove batteries after use, if removable.

**CAUTION:** Failure to exercise caution while using this product and complying with the following precautions could result in product malfunction and/or void the warranty.

## Charging Warnings

**WARNING:** Failure to comply with the following warnings could result in product malfunction, electrical issues, excessive heat, FIRE, and ultimately injury and property damage.

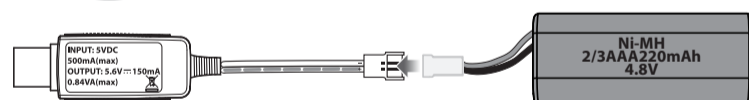
- NEVER LEAVE CHARGING BATTERIES UNATTENDED OR CHARGE OVERNIGHT.
- Never charge damaged batteries. If the battery begins to swell during charging or use, discontinue immediately.
- Always use the included battery and charger. Disconnect the battery after charging.
- Charge batteries away from flammable materials in a well-ventilated area.
- Never charge, transport, or store batteries in hot, cold, or very sunny places (recommended between 40–120° F or 5–49° C).



## Components

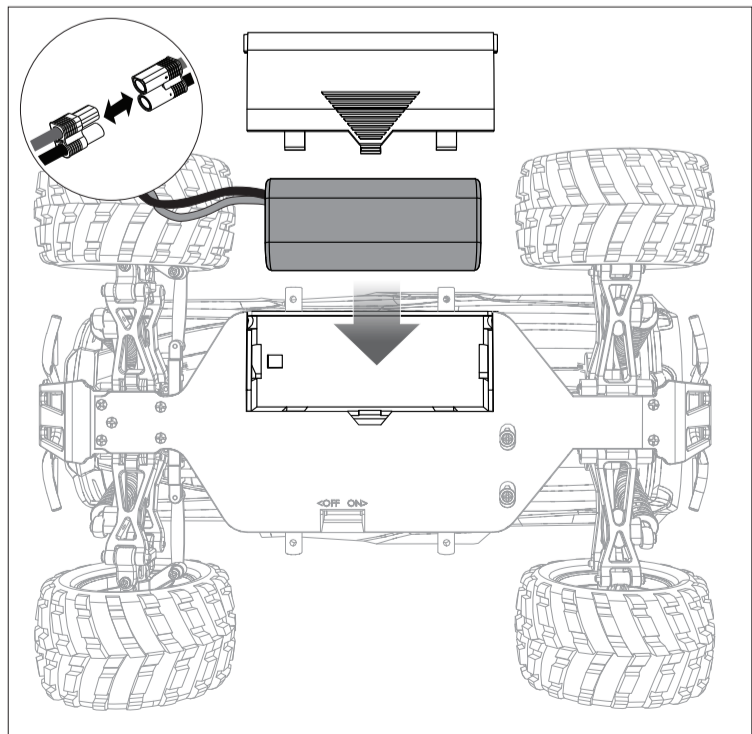
Body	ECX® 1:24 4WD Ruckus® Monster Truck or ECX® 1:24 4WD Torment® Short Course Truck
Operating Weight	2kg (.35 lb.)
Transmitter	2.4GHz, 2-CH (ECX10003) (4AA batteries)
Charger	100mA, 9V, Molex (DYNC1060)
Battery	220mAh Micro NiMH (DYNB0007)

## 1 Charge the vehicle battery



Allow the battery to charge for approximately 1 hour. The LED sequence for the USB charger is Red – charging. Green = charge is complete.

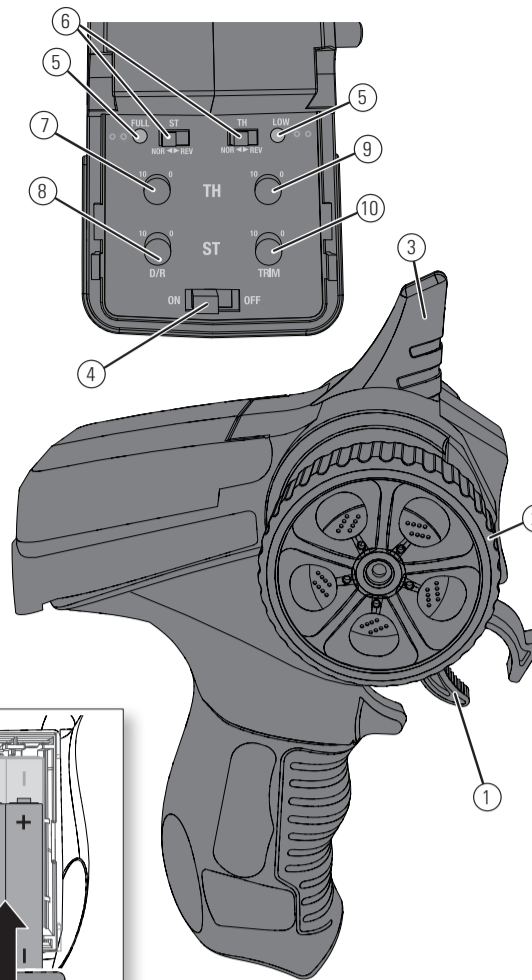
## 2 Install the vehicle battery



**CAUTION:** Connecting the battery to the ESC with reversed polarity will cause damage to the ESC, the battery or both. Damage caused by incorrectly connecting the battery is not covered under warranty.

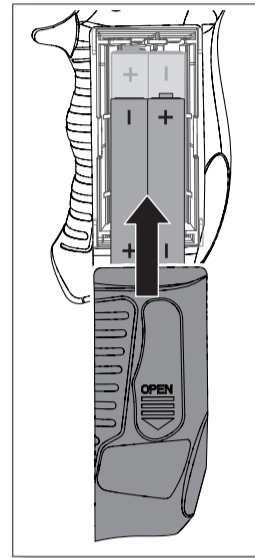
## 3 Transmitter Controls

- Throttle Trigger** Controls speed and direction (forward/brake/reverse) of the model
- Steering Wheel** Controls direction (left/right) of the model
- Antenna** Transmits the signal to the model
- ON/OFF Switch** Turns the power ON/OFF for the transmitter
- Battery Level Indicator**
  - Solid red and green—Battery voltage is good (above 4V)
  - Solid red—Battery voltage is critically low (below 4V). Replace transmitter batteries
- Reverse Switch** Allows you to change the direction of steering (ST, REV) and (TH, REV) controls (Ensure proper function with a radio system test.)
- Throttle Dual Rate** Adjusts the total throttle travel
- ST Dual Rate** Adjusts the total steering travel
- TH Trim** Adjusts the neutral point of ESC
- ST Trim** Adjusts the steering without steering wheel input to make the vehicle track straight

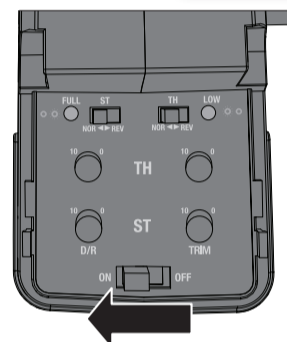


## 4 Install the transmitter batteries

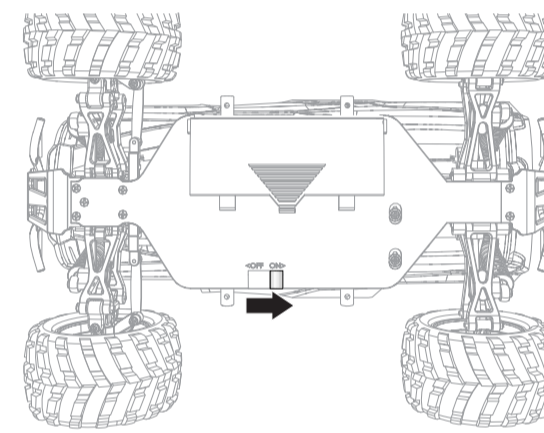
- CAUTION:** If using rechargeable batteries, charge only rechargeable batteries. Charging non-rechargeable batteries may cause the batteries to burst, resulting in injury to persons and/or damage to property.
- CAUTION:** Risk of explosion if battery is replaced by an incorrect type. Dispose of used batteries according to state and local laws.



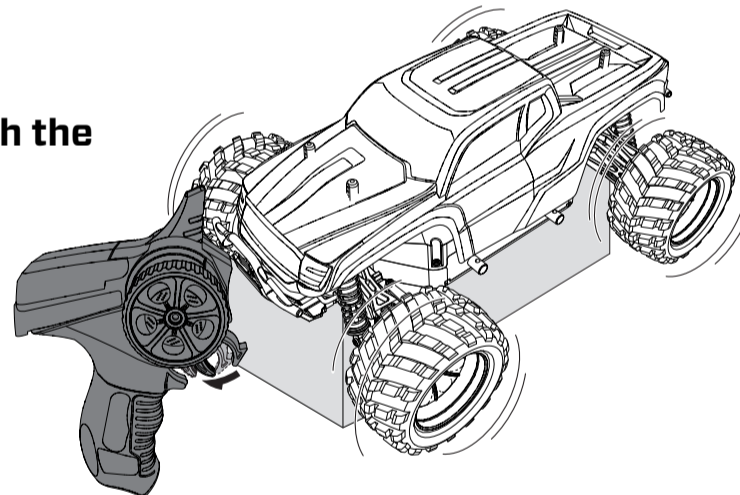
## 5 Power on the transmitter



## 6 Power on the vehicle



## 7 Test the transmitter control with the vehicle's wheels off the ground

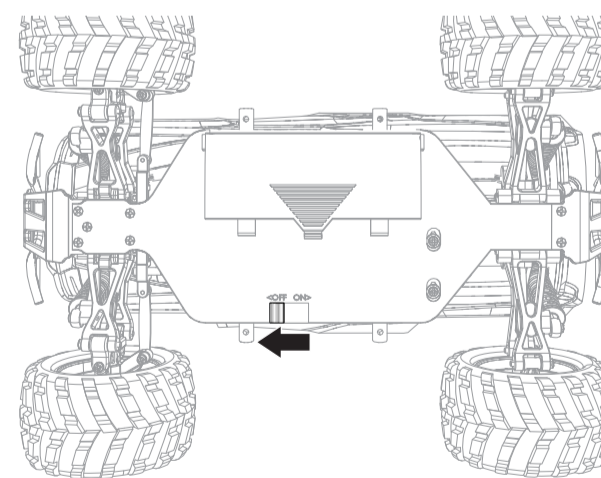


Your ECX transmitter comes bound to the vehicle from the factory, however you may need to rebind the vehicle at some point. While pressing the bind button, power on the vehicle (small push button located within the on/off switch). The receiver will blink red. Power on your transmitter and the ESC will bind automatically.

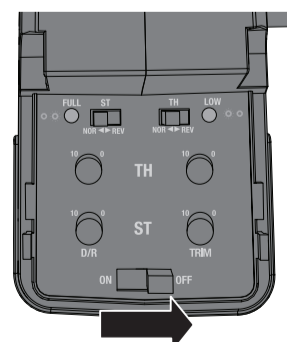
**Tip:** Use the body pin that came with your vehicle to press the bind button within its waterproof cover.



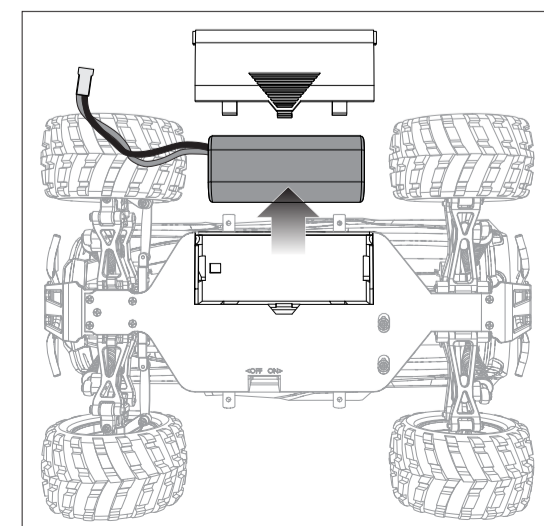
## 8 Power off the vehicle



## 9 Power off the transmitter



## 10 Remove and recharge the vehicle battery



## LIMITED WARRANTY

### What this Warranty Covers

Horizon Hobby, LLC, (Horizon) warrants to the original purchaser that the product purchased (the "Product") will be free from defects in materials and workmanship at the date of purchase.

### What is Not Covered

This warranty is not transferable and does not cover (i) cosmetic damage, (ii) damage due to acts of God, accident, misuse, abuse, negligence, commercial use, or due to improper use, installation, operation or maintenance, (iii) modification of or to any part of the Product, (iv) attempted service by anyone other than a Horizon Hobby authorized service center, (v) Product not purchased from an authorized Horizon dealer, (vi) Product not compliant with applicable technical regulations, or (vii) use that violates any applicable laws, rules, or regulations. OTHER THAN THE EXPRESS WARRANTY ABOVE, HORIZON MAKES NO OTHER WARRANTY OR REPRESENTATION, AND HEREBY DISCLAIMS ANY AND ALL IMPLIED WARRANTIES, INCLUDING, WITHOUT LIMITATION, THE IMPLIED WARRANTIES OF NON-INFRINGEMENT, MERCHANTABILITY AND FITNESS FOR A PARTICULAR PURPOSE. THE PURCHASER ACKNOWLEDGES THAT THEY ALONE HAVE DETERMINED THAT THE PRODUCT WILL SUITABLY MEET THE REQUIREMENTS OF THE PURCHASER'S INTENDED USE.

### Purchaser's Remedy

Horizon's sole obligation and purchaser's sole and exclusive remedy shall be that Horizon will, at its option, either (i) service, or (ii) replace, any Product determined by Horizon to be defective. Horizon reserves the right to inspect any and all Product(s) involved in a warranty claim. Service or replacement decisions are at the sole discretion of Horizon. Proof of purchase is required for all warranty claims. SERVICE OR REPLACEMENT AS PROVIDED UNDER THIS WARRANTY IS THE PURCHASER'S SOLE AND EXCLUSIVE REMEDY.

### Limitation of Liability

HORIZON SHALL NOT BE LIABLE FOR SPECIAL, INDIRECT, INCIDENTAL OR CONSEQUENTIAL DAMAGES, LOSS OF PROFITS OR PRODUCTION OR COMMERCIAL LOSS IN ANY WAY, REGARDLESS OF WHETHER SUCH CLAIM IS BASED IN CONTRACT, WARRANTY, TORT, NEGLIGENCE, STRICT LIABILITY OR ANY OTHER THEORY OF LIABILITY, EVEN IF HORIZON HAS BEEN ADVISED OF THE POSSIBILITY OF SUCH DAMAGES. Further, in no event shall the liability of Horizon exceed the individual price of the Product on which liability is asserted. As Horizon has no control over use, setup, final assembly, modification or misuse, no liability shall be assumed nor accepted for any resulting damage or injury. By the act of use, setup or assembly, the user accepts all resulting liability. If you as the purchaser or user are not prepared to accept the liability associated with the use of the Product, purchaser is advised to return the Product immediately in new and unused condition to the place of purchase.

### Law

These terms are governed by Illinois law (without regard to conflict of law principals). This warranty gives you specific legal rights, and you may also have other rights which vary from state to state. Horizon reserves the right to change or modify this warranty at any time without notice.

### WARRANTY SERVICES

#### Questions, Assistance, and Services

Your local hobby store and/or place of purchase cannot provide warranty support or service. Once assembly, setup or use of the Product has been started, you must contact your local distributor or Horizon directly. This will enable Horizon to better answer your questions and service you in the event that you may need any assistance. For questions or assistance, please visit our website at [www.horizonhobby.com](http://www.horizonhobby.com), submit a Product Support Inquiry, or call the toll free telephone number referenced in the Warranty and Service Contact Information section to speak with a Product Support representative.

#### Inspection or Services

If this Product needs to be inspected or serviced and is compliant in the country you live and use the Product in, please use the Horizon Online Service Request submission process found on our website or call Horizon to obtain a Return Merchandise Authorization (RMA) number. Pack the Product securely using a shipping carton. Please note that original boxes may be included, but are not designed to withstand the rigors of shipping without additional protection. Ship via a carrier that provides tracking and insurance for lost or damaged parcels, as Horizon is not responsible for merchandise until it arrives and is accepted at our facility. An Online Service Request is available at [http://www.horizonhobby.com/content/\\_service-center\\_render-service-center](http://www.horizonhobby.com/content/_service-center_render-service-center). If you do not have internet access, please contact Horizon Product Support to obtain a RMA number along with instructions for submitting your product for service. When calling Horizon, you will be asked to provide your complete name, street address, email address and phone number where you can be reached during business hours. When sending product into Horizon, please include your RMA number, a list of the included items, and a brief summary of the problem. A copy of your original sales receipt must be included for warranty consideration. Be sure your name, address, and RMA number are clearly written on the outside of the shipping carton.

**NOTICE:** Do not ship LiPo batteries to Horizon. If you have any issue with a LiPo battery, please contact the appropriate Horizon Product Support office.

#### Warranty Requirements

For Warranty consideration, you must include your original sales receipt verifying the proof-of-purchase date. Provided warranty conditions have been met, your product will be serviced or replaced free of charge. Service or replacement decisions are at the sole discretion of Horizon.

#### Non-Warranty Service

Should your service not be covered by warranty, service will be completed and payment will be required without notification or estimate of the expense unless the expense exceeds 50% of the retail purchase cost. By submitting the item for service you are agreeing to payment of the service without notification. Service estimates are available upon request. You must include this request with your item submitted for service. Non-warranty service estimates will be billed a minimum of 1/2 hour of labor. In addition you will be billed for return freight. Horizon accepts money orders and cashier's checks, as well as Visa, MasterCard, American Express, and Discover cards. By submitting any item to Horizon for service, you are agreeing to Horizon's Terms and Conditions found on our website [http://www.horizonhobby.com/content/\\_service-center\\_render-service-center](http://www.horizonhobby.com/content/_service-center_render-service-center).

**ATTENTION:** Horizon service is limited to Product compliant in the country of use and ownership. If received, a non-compliant Product will not be serviced. Further, the sender will be responsible for arranging return shipment of the un-serviced Product, through a carrier of the sender's choice and at the sender's expense. Horizon will hold non-compliant Product for a period of 60 days from notification, after which it will be discarded.

## CONTACT INFORMATION

Country of Purchase	Horizon Hobby	Contact Information	Address
United States of America	Horizon Service Center (Repairs and Repair Requests)	<a href="mailto:servicecenter@horizonhobby.com">servicecenter@horizonhobby.com</a> /RequestForm/	4105 Fieldstone Rd Champaign, Illinois, 61822 USA
	Horizon Product Support (Product Technical Assistance)	<a href="http://www.quickbase.com/db/bghj7ey8c?&amp;a=GenNewRecord">www.quickbase.com/db/bghj7ey8c?&amp;a=GenNewRecord</a> 888-959-2306	
	Sales	<a href="mailto:sales@horizonhobby.com">sales@horizonhobby.com</a> 888-959-2306	
United Kingdom	Service/Parts/Sales: Horizon Hobby Limited	<a href="mailto:sales@horizonhobby.co.uk">sales@horizonhobby.co.uk</a> +44 (0) 1279 641 097	Units 1-4, Ployters Rd Staple Tye, Harlow, Essex, CM18 7NS, United Kingdom
	Horizon Technischer Service	<a href="mailto:service@horizonhobby.de">service@horizonhobby.de</a>	
Germany	Sales: Horizon Hobby GmbH	+49 (0) 4121 2655 100	Christian-Junge-Straße 1 25337 Elmshorn, Germany
France	Service/Parts/Sales: Horizon Hobby SAS	<a href="mailto:infofrance@horizonhobby.com">infofrance@horizonhobby.com</a> +33 (0) 1 60 18 34 90	11 Rue Georges Charpak 77127 Lieusaint, France
China	Service/Parts/Sales: Horizon Hobby - China	<a href="mailto:info@horizonhobby.com.cn">info@horizonhobby.com.cn</a> +86 (021) 5180 9868	Room 506, No. 97 Changshou Rd. Shanghai, China 200060

## FCC STATEMENT

This device complies with part 15 of the FCC rules. Operation is subject to the following two conditions: (1) This device may not cause harmful interference, and (2) this device must accept any interference received, including interference that may cause undesired operation.

**CAUTION:** Changes or modifications not expressly approved by the party responsible for compliance could void the user's authority to operate the equipment.

This product contains a radio transmitter with wireless technology which has been tested and found to be compliant with the applicable regulations governing a radio transmitter in the 2.400GHz to 2.4835GHz frequency range.

## IC INFORMATION

This device complies with Industry Canada license-exempt RSS standard(s). Operation is subject to the following two conditions: (1) this device may not cause interference, and (2) this device must accept any interference, including interference that may cause undesired operation of the device.

## EU COMPLIANCE STATEMENT

Horizon Hobby, LLC hereby declares that this product is in compliance with the essential requirements and other relevant provisions of the R&TE, EMC and LVD Directives.

A copy of the EU Declaration of Conformity is available online at: <http://www.horizonhobby.com/content/support-render-compliance>.

## INSTRUCTIONS FOR DISPOSAL OF WEEE BY USERS IN THE EUROPEAN UNION

This product must not be disposed of with other waste. Instead, it is the user's responsibility to dispose of their waste electrical and electronic equipment. The designated collections point for the recycling of waste electrical and electronic equipment. The separate collection and recycling of your waste equipment at the time of disposal will help to conserve natural resources and ensure that it is recycled in a manner that protects human health and the environment. For more information about where you can drop off your waste equipment for recycling, please contact your local city office, your household waste disposal service or where you purchased the product.



For a comprehensive parts list and exploded view, see the product page on [www.horizonhobby.com](http://www.horizonhobby.com)

## Register Your ECX® Vehicle Online

Register your vehicle now and be the first to find out about the latest option parts, product updates and more. Click on the **Support** tab at [www.ecxrc.com](http://www.ecxrc.com) and follow the product registration link to stay connected.



## Hinweis

Alle Anweisungen, Garantien und dazugehörigen Dokumente können ohne Ankündigung von Horizon Hobby, LLC geändert werden. Eine aktuelle Version sehen Sie bitte im Supportfeld unter: <http://www.horizonhobby.com>.

## Bedeutung der Signalwörter

Die folgenden Begriffe werden in der gesamten Produktliteratur verwendet, um auf unterschiedlich hohe Gefahrenrisiken beim Betrieb dieses Produkts hinzuweisen:

**HINWEIS:** Wenn diese Anweisungen nicht korrekt befolgt werden, können sich möglicherweise Sachschäden UND geringe Gefahr von Verletzungen ergeben.

**ACHTUNG:** Wenn diese Anweisungen nicht korrekt befolgt werden, ergeben sich wahrscheinlich Sachschäden UND die Gefahr von schweren Verletzungen.

**ACHTUNG:** Lesen Sie die GESAMTE Bedienungsanleitung, um sich vor dem Betrieb mit den Produktfunktionen vertraut zu machen. Wird das Produkt nicht korrekt betrieben, kann dies zu Schäden am Produkt oder persönlichem Eigentum führen oder schwere Verletzungen verursachen.

Dies ist ein hochentwickeltes Hobby-Produkt. Es muss mit Vorsicht und gesundem Menschenverstand betrieben werden und benötigt gewisse mechanische Grundfähigkeiten. Versuchen Sie nicht ohne Genehmigung durch Horizon Hobby, LLC das Produkt zu zerlegen, es mit inkompatiblen Komponenten zu verwenden oder auf jegliche Weise zu erweitern.

**Altersempfehlung: Nicht für Kinder unter 14 Jahren. Dies ist kein Spielzeug.**

## Sicherheitsvorkehrungen und Warnhinweise

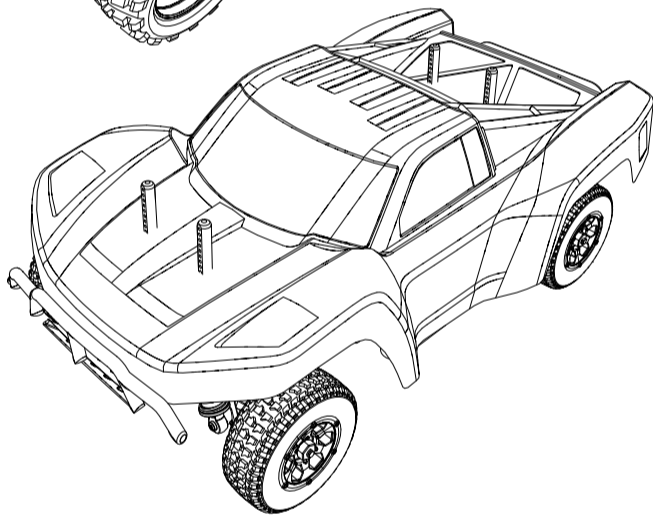
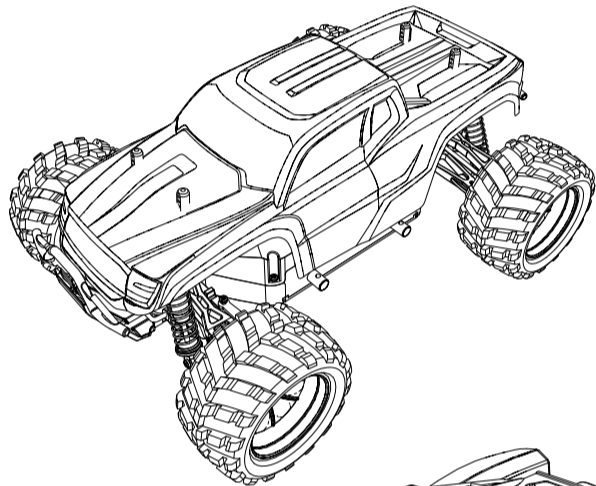
- Als Nutzer dieses Produktes sind Sie allein für den sicheren Betrieb ohne Gefährdung des Produktes, ihrer selbst und dritter oder deren Eigentum verantwortlich.
- Betreiben Sie Ihr Produkt auf weiten, offenen Flächen weg von Menschen und anderem Eigentum.
- Betreiben Sie das Produkt niemals mit beschädigten elektrischen Komponenten.
- Lassen Sie den Sender eingeschaltet wenn das Modell eingeschaltet ist.
- Lassen Sie die Teile abkühlen bevor Sie sie anfassen. Die Motoren werden während des Betriebes heiß.
- Entfernen Sie die Batterien nach Gebrauch, wenn abnehmbare.

**ACHTUNG:** Unaufmerksamkeit während des Betriebes des Produktes in Zusammenhang mit den folgenden Sicherheitshinweisen kann zu Fehlfunktionen und dem Verlust der Garantie führen.

## Warnungen zum Laden

**WARNUNG:** Alle Anweisungen und Warnhinweise müssen genau befolgt werden. Falsche Handhabung von Li-Po-Akkus kann zu Brand-, Personen- und/oder Sachschäden führen.

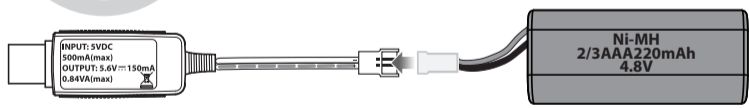
- LASSEN SIE DAS NETZGERÄT, LADEGERÄT UND AKKU NIEMALS UNBEAUFICHTIGT WÄHREND DES BETRIEBES. LADEN SIE NIEMALS AKKUS ÜBER NACHT.
- Laden Sie niemals beschädigte Akkus. Sollte der Akku zu einem beliebigen Zeitpunkt beginnen, sich aufzublähen oder anzuschwellen, stoppen Sie die Verwendung unverzüglich.
- Verwenden Sie immer das Ladegerät und den Akku aus dem Lieferumfang. Trennen Sie nach dem Laden den Akku.
- Laden Sie die Akkus immer weit entfernt von brennbaren in gut belüfteten Bereichen.
- Laden, transportieren oder lagern Sie niemals Akkus in heißen, kalten oder Plätzen mit starker Sonneneinstrahlung. (Empfohlener Temperaturbereich 5–49° C).



## Komponenten

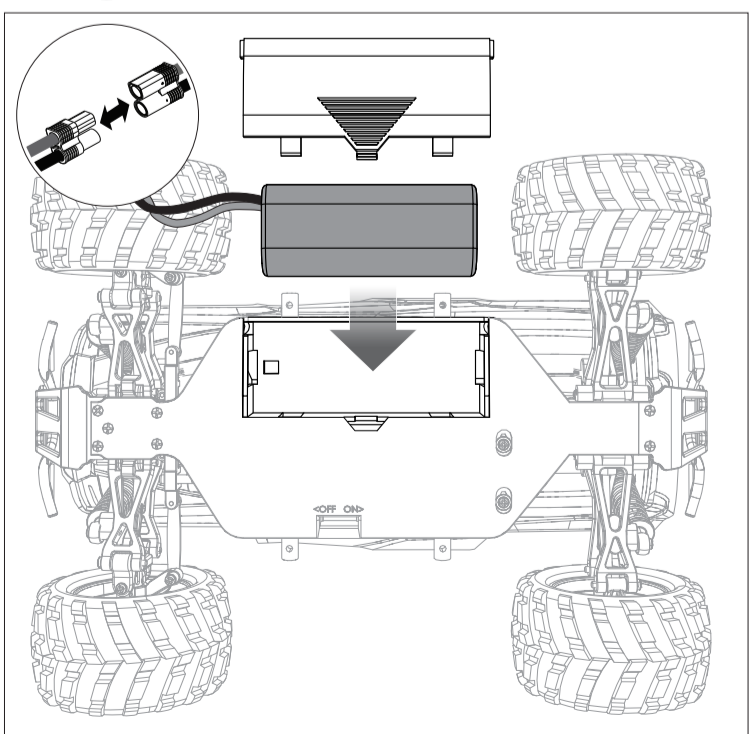
Karosserie	ECX® 1:24 4WD Ruckus® Monster Truck oder ECX® 1:24 4WD Torment® Short Course Truck
Gewicht fahrfertig	2kg
Sender	2.4 Ghz, 2-Kanal (CX1003) (4AA Batterien)
Ladegerät	100mA, 9V Molex (DYNC1060)
Akku	220mAh Micro NIMH (DYNB0007)

## 1 Laden des Fahrakkus



Laden Sie den Akku für circa eine Stunde. Die LED Anzeige des Ladegerätes bedeutet: Rot = Laden. Grün = Ladevorgang durchgeführt.

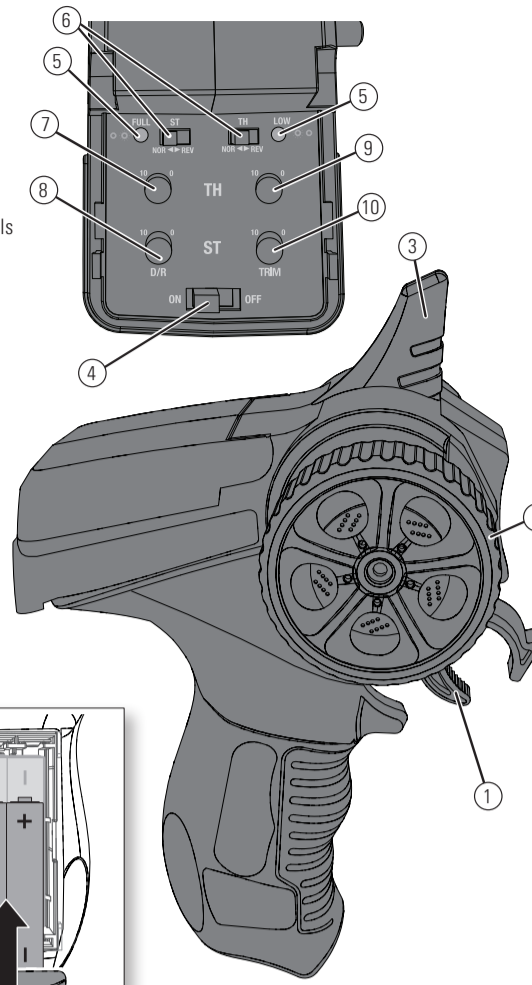
## 2 Einsetzen des Fahrakkus



**ACHTUNG:** Der verpolte Anschluss des Akkus an den Regler beschädigt den Regler, Akku oder beides. Schäden die durch falschen Anschluss entstanden sind werden nicht von der Garantie gedeckt.

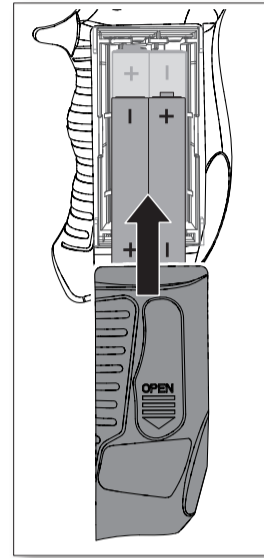
## 3 Senderkontrollen

- Gashebel** Kontrolliert die Geschwindigkeit und Richtung (Vorwärts/Bremse/Rückwärts) des Modells
- Lenkrad** Steuert die links / rechts Richtung des Modells
- Antenne** Sendet die Signale zum Modell
- On / Off Schalter** Schaltet den Sender Ein (ON) oder Aus (OFF)
- Batterieanzeige**
  - Leuchtet Grün und Rot—Batteriespannung ist gut (über 4 Volt)
  - Leuchtet Rot—Batteriespannung ist kritisch niedrig (unter 4 Volt). Ersetzen Sie die Batterien
- Reverseschalter** Mit den Reverseschaltern können Sie die Richtung der Lenkung (ST, REV) und Gas (TH, REV) reversieren (umdrehen). Kontrollieren Sie die Funktion mit einem Fernsteuertest
- Dual Rate Lenkung** Stellt den gesamten Gasweg ein
- Lenkung Steuerrate** Stellt die Lenktrimmung des Modells ein
- TH Trim** Stellt den Neutralpunkt des Reglers ein
- ST Trim** Justiert den Geradeauslauf ohne Steuereingabe

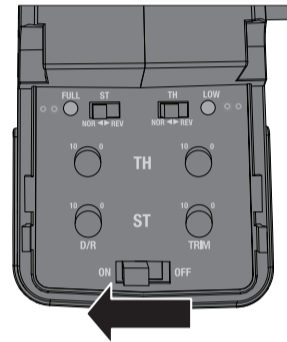


## 4 Einsetzen der Senderbatterien

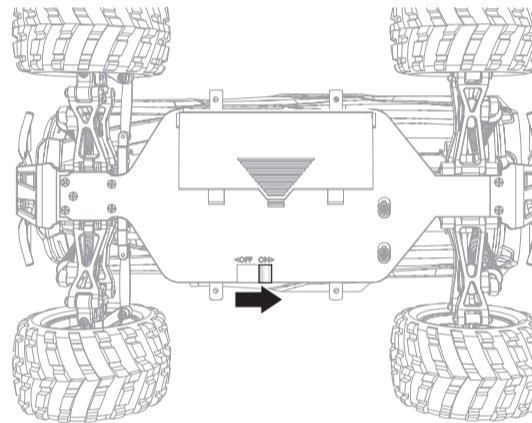
- ACHTUNG:** Wenn Sie wiederaufladbare Akkus verwenden, laden Sie nur diese. Das Laden von nicht wiederaufladbaren Batterien kann die Batterien zur Explosion bringen, was Körperverletzung und Sachbeschädigung zur Folge haben kann.
- ACHTUNG:** Sollte der Akku durch einen nicht geeigneten Akkutyp ausgetauscht werden besteht Explosionsrisiko. Entsorgen Sie gebrauchte Akkus immer nach den örtlichen Gesetzen und Vorschriften.



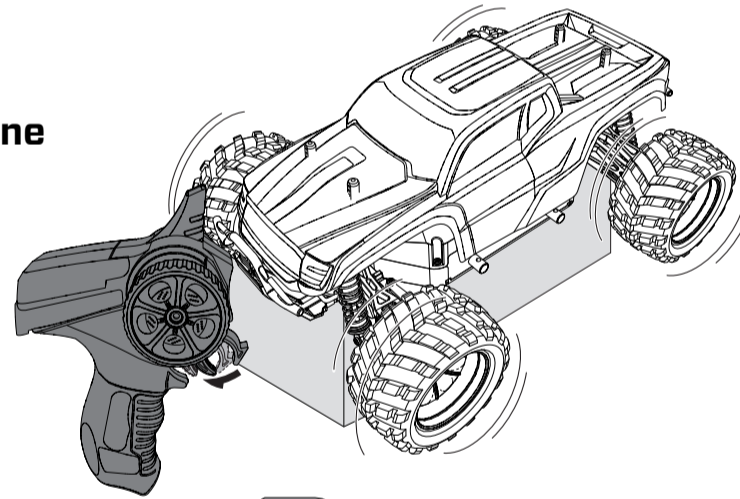
## 5 Schalten Sie den Sender ein



## 6 Schalten Sie das Fahrzeug ein

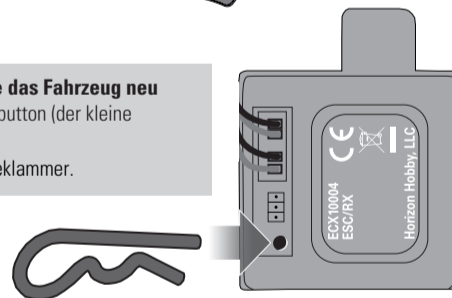


## 7 Testen der Senderkontrollen ohne Bodenkontakt der Räder

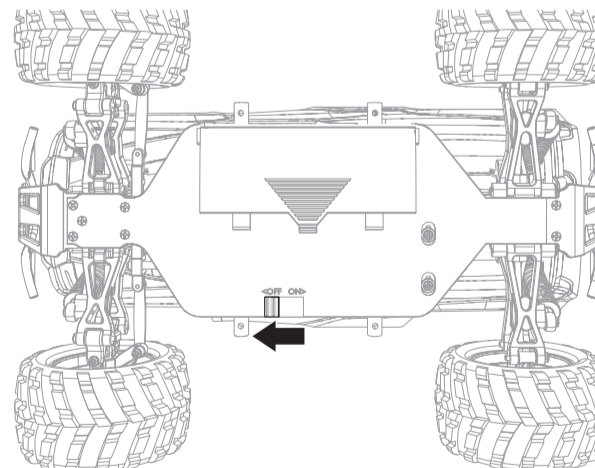


Ihr ECX Sender ist bereits am Werk mit dem Fahrzeug gebunden. Sollten Sie das Fahrzeug neu binden wollen gehen Sie bitte wie folgt vor. Schalten Sie mit gedrückten Bindebutton (der kleine Druckknopf auf dem Ein/Aus Schalter) das Fahrzeug ein.

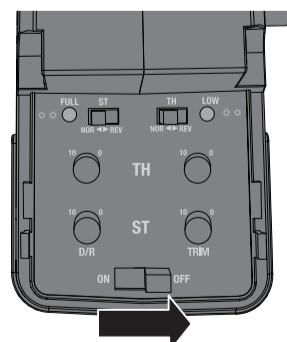
**Tipp:** Nutzen Sie zum Drücken des spritzwasserdichten Gehäuses eine Karosserieklemmer.



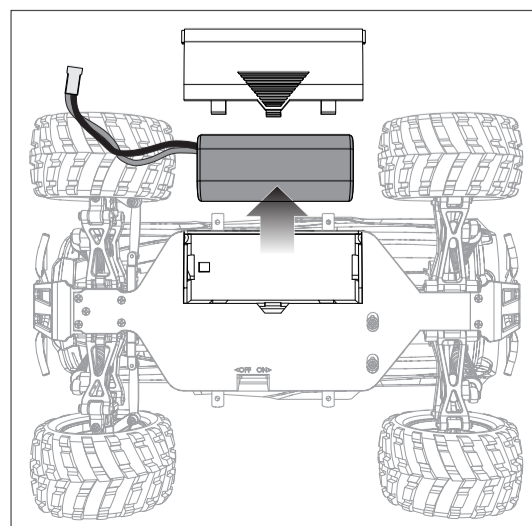
## 8 Schalten Sie das Fahrzeug aus



## 9 Schalten Sie den Sender aus



## 10 Entnehmen und Aufladen des Fahrakkus



## GARANTIE UND SERVICE INFORMATIONEN

### Warnung

Ein ferngesteuertes Modell ist kein Spielzeug. Es kann, wenn es falsch eingesetzt wird, zu erheblichen Verletzungen bei Lebewesen und Beschädigungen an Sachgütern führen. Betreiben Sie Ihr RC-Modell nur auf freien Plätzen und beachten Sie alle Hinweise der Bedienungsanleitung des Modells wie auch der Fernsteuerung.

### Garantiezeitraum

Exklusive Garantie Horizon Hobby LLC (Horizon) garantiert, dass das gekaufte Produkt frei von Material- und Montagefehlern ist. Der Garantiezeitraum entspricht den gesetzlichen Bestimmungen des Landes, in dem das Produkt erworben wurde. In Deutschland beträgt der Garantiezeitraum 6 Monate und der Gewährleistungszeitraum 18 Monate nach dem Garantiezeitraum.

### Einschränkungen der Garantie

(a) Die Garantie wird nur dem Erstkäufer (Käufer) gewährt und kann nicht übertragen werden. Der Anspruch des Käufers besteht in der Reparatur oder dem Tausch im Rahmen dieser Garantie. Die Garantie erstreckt sich ausschließlich auf Produkte, die bei einem autorisierten Horizon Händler erworben wurden. Verkäufe an Dritte werden von dieser Garantie nicht gedeckt. Garantieansprüche werden nur angenommen, wenn ein gültiger Kaufnachweis erbracht wird. Horizon behält sich das Recht vor, diese Garantiebestimmungen ohne Ankündigung zu ändern oder modifizieren und widerruft dann bestehende Garantiebestimmungen.

(b) Horizon übernimmt keine Garantie für die Verkaufbarkeit des Produktes, die Fähigkeiten und die Fitness des Verbrauchers für einen bestimmten Einsatzzweck des Produktes. Der Käufer allein ist dafür verantwortlich, zu prüfen, ob das Produkt seinen Fähigkeiten und dem vorgesehenen Einsatzzweck entspricht.

(c) Ansprüche des Käufers – Es liegt ausschließlich im Ermessen von Horizon, ob das Produkt, bei dem ein Garantiefall festgestellt wurde, repariert oder ausgetauscht wird. Dies sind die exklusiven Ansprüche des Käufers, wenn ein Defekt festgestellt wird.

Horizon behält sich vor, alle eingesetzten Komponenten zu prüfen, die in den Garantiefall einbezogen werden können. Die Entscheidung zur Reparatur oder zum Austausch liegt nur bei Horizon. Die Garantie schließt kosmetische Defekte oder Defekte, hervorgerufen durch höhere Gewalt, falsche Behandlung des Produktes, falscher Einsatz des Produktes, kommerziellen Einsatz oder Modifikationen irgendwelcher Art aus.

Die Garantie schließt Schäden, die durch falschen Einbau, falsche Handhabung, Unfälle, Betrieb, Service oder Reparaturversuche, die nicht von Horizon ausgeführt wurden aus.

Ausgeschlossen sind auch Fälle die bedingt durch (vi) eine Nutzung sind, die gegen geltendes Recht, Gesetze oder Regularien verstoßen haben. Rücksendungen durch den Käufer direkt an Horizon oder eine seiner Landesvertretungen bedürfen der Schriftform.

### Schadensbeschränkung

Horizon ist nicht für direkte oder indirekte Folgeschäden, Einkommensausfälle oder kommerzielle Verluste, die in irgendeinem Zusammenhang mit dem Produkt stehen verantwortlich, unabhängig ob ein Anspruch im Zusammenhang mit einem Vertrag, der Garantie oder der Gewährleistung erhoben werden. Horizon wird darüber hinaus keine Ansprüche aus einem Garantiefall akzeptieren, die über den individuellen Wert des Produktes hinaus gehen. Horizon hat keinen Einfluss auf den Einbau, die Verwendung oder die Wartung des Produktes oder etwaiger Produktkombinationen, die vom Käufer gewählt werden. Horizon übernimmt keine Garantie und akzeptiert keine Ansprüche für in der Folge auftretende Verletzungen oder Beschädigungen. Mit der Verwendung und dem Einbau des Produktes akzeptiert der Käufer alle aufgeführten Garantiebestimmungen ohne Einschränkungen und Vorbehalte.

Wenn Sie als Käufer nicht bereit sind, diese Bestimmungen im Zusammenhang mit der Benutzung des Produktes zu akzeptieren, werden Sie gebeten, das Produkt in unbenutztem Zustand in der Originalverpackung vollständig bei dem Verkäufer zurückzugeben.

### Sicherheitshinweise

Dieses ist ein hochwertiges Hobby Produkt und kein Spielzeug. Es muss mit Vorsicht und Umsicht eingesetzt werden und erfordert einige mechanische wie auch mentale Fähigkeiten. Ein Versagen, das Produkt sicher und umsichtig zu betreiben kann zu Verletzungen von Lebewesen und Sachbeschädigungen erheblichen Ausmaßes führen. Dieses Produkt ist nicht für den Gebrauch durch Kinder ohne die Aufsicht eines Erziehungsberechtigten vorgesehen. Die Anleitung enthält Sicherheitshinweise und Vorschriften sowie Hinweise für die Wartung und den Betrieb des Produktes. Es ist unabdingbar, diese Hinweise vor der ersten Inbetriebnahme zu lesen und zu verstehen. Nur so kann der falsche Umgang verhindert und Unfälle mit Verletzungen und Beschädigungen vermieden werden.

### Fragen, Hilfe und Reparaturen

Ihr lokaler Fachhändler und die Verkaufsstelle können eine Garantieüberprüfung ohne Rücksprache mit Horizon nicht durchführen. Dies gilt auch für Garantiereparaturen. Deshalb kontaktieren Sie in einem solchen Fall den Händler, der sich mit Horizon kurz schließen wird, um eine sachgerechte Entscheidung zu fällen, die Ihnen schnellstmöglich hilft.

### Wartung und Reparatur

Muss Ihr Produkt gewartet oder repariert werden, wenden Sie sich entweder an Ihren Fachhändler oder direkt an Horizon.

Rücksendungen / Reparaturen werden nur mit einer von Horizon vergebenen RMA Nummer bearbeitet. Diese Nummer erhalten Sie oder Ihr Fachhändler vom technischen Service. Mehr Informationen dazu erhalten Sie im Serviceportal unter [www.horizonhobby.de](http://www.horizonhobby.de) oder telefonisch bei dem technischen Service von Horizon.

Packen Sie das Produkt sorgfältig ein. Beachten Sie, dass der Originalkarton in der Regel nicht ausreicht, um beim Versand nicht beschädigt zu werden. Verwenden Sie einen Paketiendienstleister mit einer Tracking Funktion und Versicherung, da Horizon bis zur Annahme keine Verantwortung für den Versand des Produktes übernimmt. Bitte legen Sie dem Produkt einen Kaufbeleg bei, sowie eine ausführliche Fehlerbeschreibung und eine Liste aller eingesendeten Einzelkomponenten. Weiterhin benötigen wir die vollständige Adresse, eine Telefonnummer für Rückfragen, sowie eine Email Adresse.

### Garantie und Reparaturen

Garantieanfragen werden nur bearbeitet, wenn ein Originalkaufbeleg von einem autorisierten Fachhändler beiliegt, aus dem der Käufer und das Kaufdatum hervorgeht. Sollte sich ein Garantiefall bestätigen wird das Produkt repariert oder ersetzt. Diese Entscheidung obliegt einzig Horizon Hobby.

### Kostenpflichtige Reparaturen

Liegt eine kostenpflichtige Reparatur vor, erstellen wir einen Kostenvorschlag, den wir Ihrem Händler übermitteln. Die Reparatur wird erst vorgenommen, wenn wir die Freigabe des Händlers erhalten. Der Preis für die Reparatur ist bei Ihrem Händler zu entrichten. Bei kostenpflichtigen Reparaturen werden mindestens 30 Minuten Werkstattzeit und die Rückversandkosten in Rechnung gestellt. Sollten wir nach 90 Tagen keine Einverständniserklärung zur Reparatur vorliegen haben, behalten wir uns vor, das Produkt zu vernichten oder anderweitig zu verwerten.

**ACHTUNG: Kostenpflichtige Reparaturen nehmen wir nur für Elektronik und Motoren vor. Mechanische Reparaturen, besonders bei Hubschraubern und RC-Cars sind extrem aufwendig und müssen deshalb vom Käufer selbst – vorgenommen werden.**

## GARANTIE UND SERVICE KONTAKTINFORMATIONEN

LAND DES KAUF	HORIZON HOBBY	E-MAIL ADRESSE/ TELEFON	ADRESSE
Deutschland	Horizon Technischer Service Sales: Horizon Hobby GmbH	service@horizon-hobby.de +49 (0) 4121 2655 100	Christian-Junge-Straße 1 25337 Elmshorn, Deutschland

## EU KONFORMITÄTSERKLÄRUNG

**CE** Horizon LLC erklärt hiermit, dass dieses Produkt konform zu den essentiellen Anforderungen der R&TTE, EMC e LVD Direktive ist.

Eine Kopie der Konformitätserklärung ist online unter folgender Adresse verfügbar: <http://www.horizonhobby.com/content/support-render-compliance>.

## ENTSORGUNG IN DER EUROPÄISCHEN UNION

Dieses Produkt darf nicht über den Hausmüll entsorgt werden. Es ist die Verantwortung des Benutzers, dass Produkt an einer registrierten Sammelstelle für Elektroschrott abzugeben diese Verfahren stellt sicher, dass die Umwelt geschont wird und natürliche Ressourcen nicht über die Gebühr beansprucht werden. Dadurch wird das Wohlergehen der menschlichen Gemeinschaft geschützt. Für weitere Informationen, wo der Elektromüll entsorgt werden kann, können Sie Ihr Stadtbüro oder Ihren lokalen Entsorger kontaktieren.

**Die Explosionszeichnung und Teilliste finden Sie auf der Produktseite unter [www.horizonhobby.com](http://www.horizonhobby.com)**

## Registrieren Sie Ihr ECX Online

Registrieren Sie Ihr Fahrzeug jetzt und erfahren Sie als erstes alles über optionale Teile, neue Produkte und vieles mehr. Wählen Sie [www.ecxrc.com](http://www.ecxrc.com) und folgen den Anweisungen des Registrierungs Links.



## Remarque

Toutes les instructions, garanties et autres documents de garantie sont sujets à la seule discrétion de Horizon Hobby, LLC. Veuillez, pour une documentation produit bien à jour, visiter le site internet <http://www.horizonhobby.com>.

## Signification de Mots de Signalisation de Sécurité

Les termes suivants servent, tout au long de la littérature produits, à désigner différents niveaux de blessures potentielles lors de l'utilisation de ce produit:

**REMARQUE :** Les instructions, si elles ne sont pas suivies, peuvent entraîner des dommages matériels ET blessures légères.

**ATTENTION :** Les instructions, si elles ne sont pas suivies, peuvent entraîner des dommages matériels ET blessures.

**ATTENTION :** Lire et suivre toutes les instructions et mises en garde du manuel avant le réglage et l'utilisation. Une mauvaise utilisation du produit peut endommager ce dernier, vous blesser et/ou entraîner des blessures.

Ceci est un produit de loisirs sophistiqué. Il doit être manipulé avec prudence et bon sens et requiert des aptitudes de base en mécanique. N'essayez pas de démonter le produit, de l'utiliser avec des composants incompatibles ou d'en améliorer les performances sans l'accord d'Horizon Hobby, LLC.

**Age Recommandé: 14 ans et plus. Ceci n'est pas un jouet.**

## Précautions de sécurité lors de l'utilisation

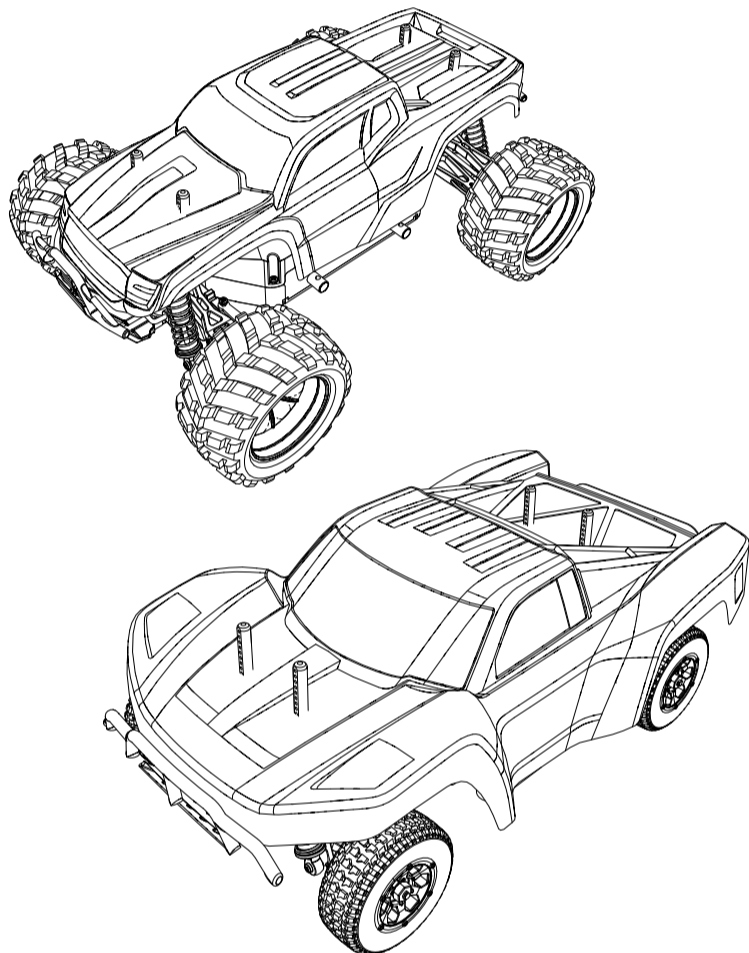
- » En tant qu'utilisateur de ce produit, vous êtes responsable de la sécurité lors de son utilisation, de ne pas mettre en danger les autres et vous-même ou des dommages causés à ce produit et aux biens des autres.
- » Utilisez ce produit dans un endroit ouvert à l'écart des autres et des habitations.
- » N'utilisez jamais ce produits avec des composants électriques endommagés.
- » Gardez l'émetteur sous tension quand le modèle est sous tension.
- » Laissez les pièces refroidir avant de les toucher, le moteur chauffera lors de l'utilisation.
- » Débranchez la batterie après utilisation, si applicable.

**ATTENTION:** Un défaut de soin durant l'utilisation et un non-respect des consignes suivantes peut entraîner un dysfonctionnement du produit et/ou annuler la garantie.

## Avertissements de charge

**AVERTISSEMENT:** Le non-respect de ces avertissements peut entraîner un mauvais fonctionnement du produit, des problèmes électriques, une surchauffe, INCENDIE et à terme blessures et dommages matériels.

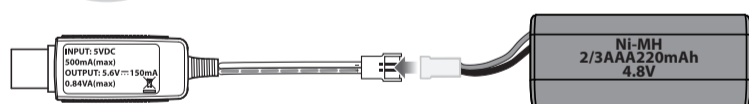
- » NE LAISSEZ JAMAIS DES BATTERIES EN CHARGE SANS SURVEILLANCE OU EN CHARGE LA NUIT.
- » Ne jamais mettre des batteries endommagées en charge. Si la batterie commence à gonfler lors de la charge ou l'utilisation, débranchez-la immédiatement.
- » Utilisez toujours la batterie et le chargeur fournis. Débranchez la batterie après charge.
- » Chargez les batteries à l'écart de matières inflammables dans un endroit bien aéré.
- » Ne chargez, transportez ou stockez jamais dans un endroit chaud, froid ou très ensoleillé (température recommandée entre 5 et 49°).



## Éléments

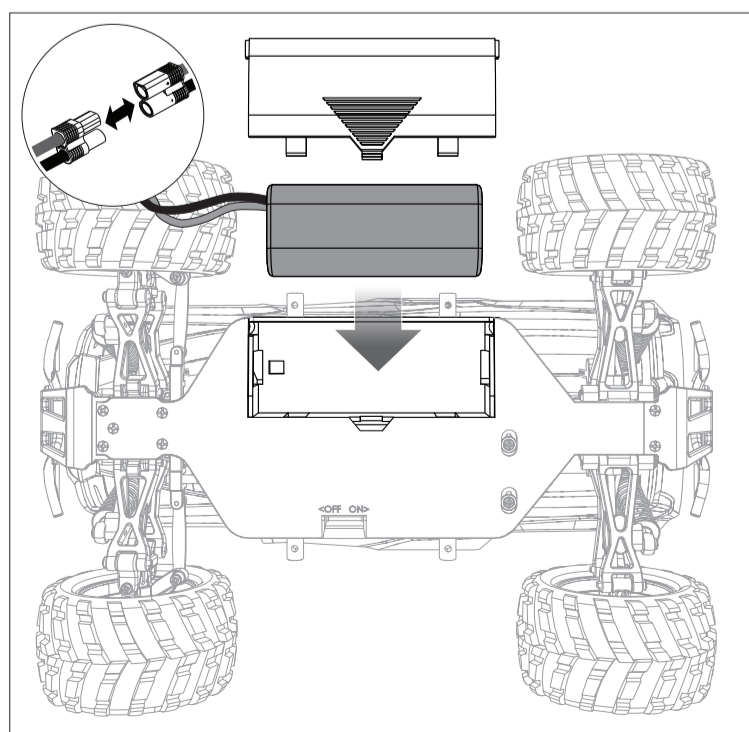
Carrosserie	ECX® 1:24 4WD Ruckus® Monster Truck ou ECX® 1:24 4WD Torment® Short Course Truck
Poids	2kg
Émetteur	2,4GHz, 2 voies (ECX10003) (4 piles AA)
Chargeur	100mA, 9V, Prise Molex (DYNC1060)
Batterie	Micro Ni-Mh 220mAh (DYNB0007)

## 1 Charge de la batterie du véhicule



Laissez la batterie en charge 1 heure environ.  
La DEL pour le chargeur USB est rouge lors de la charge et verte lorsque la charge est terminée.

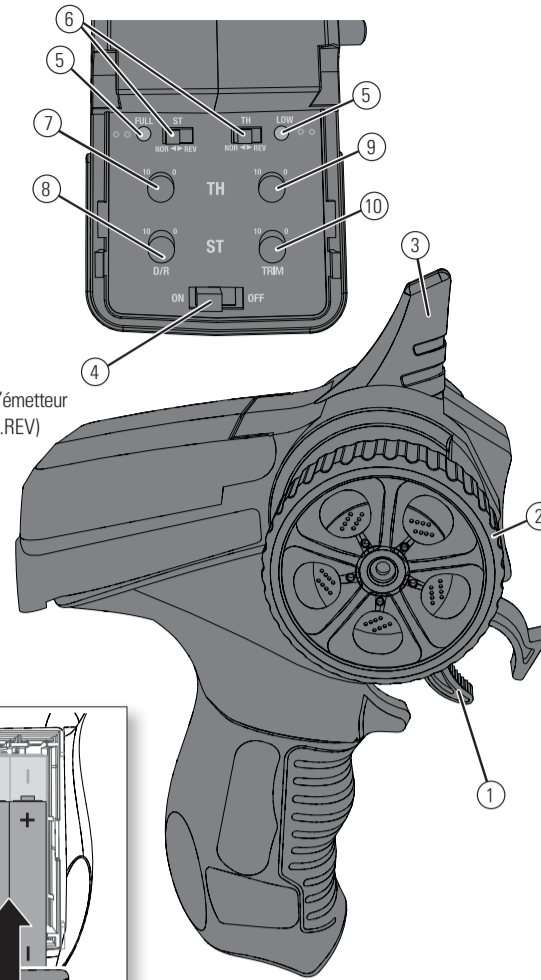
## 2 Installation de la batterie sur le véhicule



**ATTENTION:** La connexion de la batterie à un contrôleur en inversant la polarité peut endommager le contrôleur, la batterie ou les deux. Les dommages dus à une mauvaise connexion de la batterie ne sont pas couverts par la garantie.

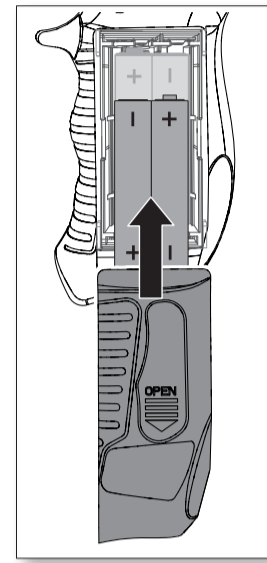
## 3 Fonctions de l'émetteur

- Gâchette des gaz** Contrôle la puissance du moteur (marche avant/frein/arrière)
- Volant de direction** Commande la direction (gauche/droite) du modèle
- Antenne** Transmet le signal au modèle
- Interrupteur ON/OFF** Commande l'alimentation de l'émetteur
- Indicateur de niveau des piles**
  - » Rouge et vert fixes—la tension des piles est correcte (au-dessus de 4V)
  - » Rouge fixe—la tension des piles est extrêmement faible (en dessous de 4V). Remplacez les piles de l'émetteur
- Inversion des voies** Permet d'inverser le sens de la direction (ST.REV) et de la voie des gaz (TH.REV) (Effectuez un test de la radio pour contrôler le fonctionnement)
- Débattement de la voie des gaz** Agit sur la course des gaz
- Débattement de la direction** Agit sur le débattement de la direction
- TH Trim** Agit sur le neutre du variateur
- ST Trim** Agit sur le neutre de la direction afin que le véhicule roule droit

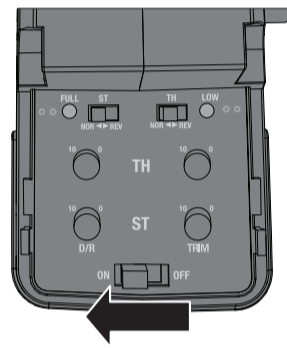


## 4 Installation des piles de l'émetteur

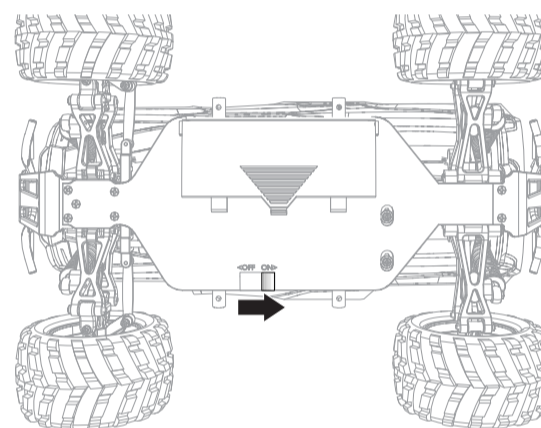
- ATTENTION :** Si vous utilisez des batteries rechargeables ne rechargez que celles-ci. Si vous tentez de charger des piles non-rechargeables, vous vous exposez à un risque d'explosion entraînant des blessures corporelles et des dégâts matériels.
- ATTENTION :** Risque d'explosion en cas de remplacement par une batterie de type incorrect. Respectez les réglementations locales en vigueur pour vous séparer des batteries usagées.



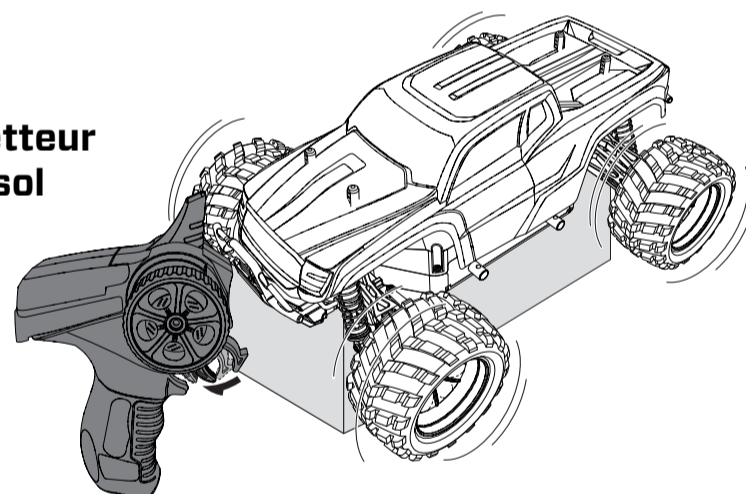
## 5 Mettez l'émetteur sous tension



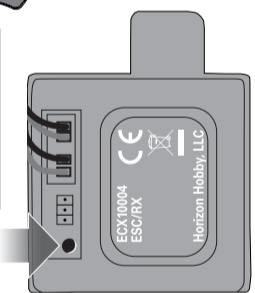
## 6 Mettez le véhicule sous tension



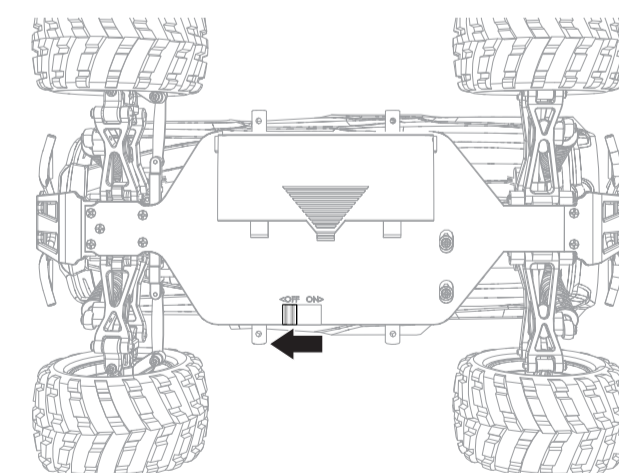
## 7 Testez les commandes de l'émetteur sans que les roues touchent le sol



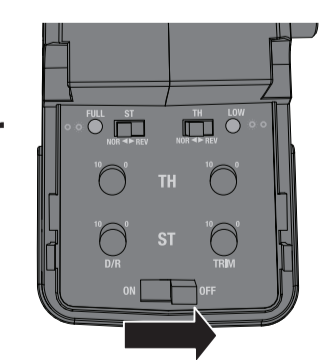
L'émetteur de votre ECX est affecté au véhicule par défaut, cependant vous devrez peut être le réaffecter à votre véhicule à un certain moment. Tout en appuyant sur le bouton Affectation (Bind), mettez le véhicule sous tension (petite bouton poussoir situé dans l'interrupteur arrêt/marche). Le récepteur clignotera rouge. Mettez l'émetteur sous tension et le variateur s'affectera automatiquement.  
**Conseil:** Utilisez le clip de carrosserie de votre véhicule pour appuyer sur le bouton affectation dans la protection étanche.



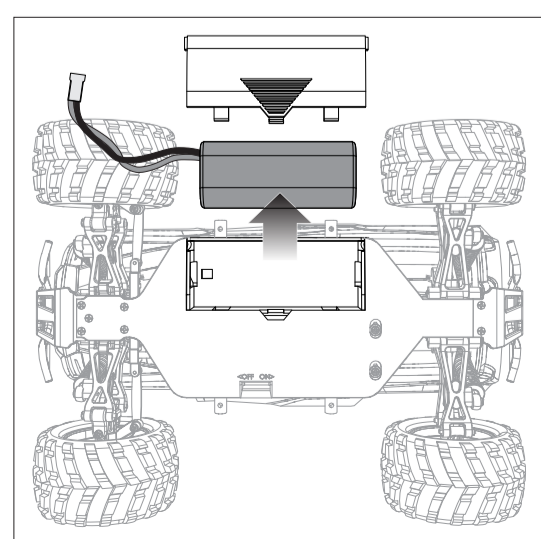
## 8 Mettez le véhicule hors tension



## 9 Mettez l'émetteur hors tension



## 10 Retirez et rechargez la batterie du véhicule



## DURÉE DE LA GARANTIE

Garantie exclusive - Horizon Hobby, LLC (Horizon) garantit que le Produit acheté (le « Produit ») sera exempt de défauts matériels et de fabrication à sa date d'achat par l'Acheteur. La durée de garantie correspond aux dispositions légales du pays dans lequel le produit a été acquis. La durée de garantie est de 6 mois et la durée d'obligation de garantie de 18 mois à l'expiration de la période de garantie.

### Limitations de la garantie

(a) La garantie est donnée à l'acheteur initial (« Acheteur ») et n'est pas transférable. Le recours de l'acheteur consiste en la réparation ou en l'échange dans le cadre de cette garantie. La garantie s'applique uniquement aux produits achetés chez un revendeur Horizon agréé. Les ventes faites à des tiers ne sont pas couvertes par cette garantie. Les revendications en garantie seront acceptées sur fourniture d'une preuve d'achat valide uniquement. Horizon se réserve le droit de modifier les dispositions de la présente garantie sans avis préalable et révoque alors les dispositions de garantie existantes.

(b) Horizon n'endosse aucune garantie quant à la vendabilité du produit ou aux capacités et à la forme physique de l'utilisateur pour une utilisation donnée du produit. Il est de la seule responsabilité de l'acheteur de vérifier si le produit correspond à ses capacités et à l'utilisation prévue.

(c) Recours de l'acheteur — Il est de la seule discrétion d'Horizon de déterminer si un produit présentant un cas de garantie sera réparé ou échangé. Ce sont là les recours exclusifs de l'acheteur lorsqu'un défaut est constaté.

Horizon se réserve la possibilité de vérifier tous les éléments utilisés et susceptibles d'être intégrés dans le cas de garantie. La décision de réparer ou de remplacer le produit est du seul ressort d'Horizon. La garantie exclut les défauts esthétiques ou les défauts provoqués par des cas de force majeure, une manipulation incorrecte du produit, une utilisation incorrecte ou commerciale de ce dernier ou encore des modifications de quelque nature qu'elles soient.

La garantie ne couvre pas les défauts résultant d'un montage ou d'une manipulation erronés, d'accidents ou encore du fonctionnement ainsi que des tentatives d'entretien ou de réparation non effectuées par Horizon. Les retours effectués par le fait de l'acheteur directement à Horizon ou à l'une de ses représentations nationales requièrent une confirmation écrite.

### Limitation des dommages

Horizon ne saurait être tenu pour responsable de dommages conséquents directs ou indirects, de pertes de revenus ou de pertes commerciales, liés de quelque manière que ce soit au produit et ce, indépendamment du fait qu'un recours puisse être formulé en relation avec un contrat, la garantie ou l'obligation de garantie. Par ailleurs, Horizon n'acceptera pas de recours issus d'un cas de garantie lorsque ces recours dépassent la valeur unitaire du produit. Horizon n'exerce aucune influence sur le montage, l'utilisation ou la maintenance du produit ou sur d'éventuelles combinaisons de produits choisies par l'acheteur. Horizon ne prend en compte aucune garantie et n'accepte aucun recours pour les blessures ou les dommages pouvant en résulter. Horizon Hobby ne saurait être tenu responsable d'une utilisation ne respectant pas les lois, les règles ou réglementations en vigueur.

En utilisant et en montant le produit, l'acheteur accepte sans restriction ni réserve toutes les dispositions relatives à la garantie figurant dans le présent document. Si vous n'êtes pas prêt, en tant qu'acheteur, à accepter ces dispositions en relation avec l'utilisation du produit, nous vous demandons de restituer au vendeur le produit complet, non utilisé et dans son emballage d'origine.

### Indications relatives à la sécurité

Ceci est un produit de loisirs perfectionné et non un jouet. Il doit être utilisé avec précaution et bon sens et nécessite quelques aptitudes mécaniques ainsi que mentales. L'incapacité à utiliser le produit de manière sûre et raisonnable peut provoquer des blessures et des dégâts matériels conséquents. Ce produit n'est pas destiné à être utilisé par des enfants sans la surveillance par un tuteur. La notice d'utilisation contient des indications relatives à la sécurité ainsi que des indications concernant la maintenance et le fonctionnement du produit. Il est absolument indispensable qu'il sera possible d'éviter une manipulation erronée et des accidents entraînant des blessures et des dégâts. Horizon Hobby ne saurait être tenu responsable d'une utilisation ne respectant pas les lois, les règles ou réglementations en vigueur.

### Questions, assistance et réparations

Votre revendeur spécialisé local et le point de vente ne peuvent effectuer une estimation d'éligibilité à l'application de la garantie sans avoir consulté Horizon. Cela vaut également pour les réparations sous garantie. Vous voudrez bien, dans un tel cas, contacter le revendeur qui conviendra avec Horizon d'une décision appropriée, destinée à vous aider le plus rapidement possible.

### Maintenance et réparation

Si votre produit doit faire l'objet d'une maintenance ou d'une réparation, adressez-vous soit à votre revendeur spécialisé, soit directement à Horizon. Emballez le produit soigneusement. Veuillez noter que le carton d'emballage d'origine ne suffit pas, en règle générale, à protéger le produit des dégâts pouvant survenir pendant le transport. Faites appel à un service de messagerie proposant une fonction de suivi et une assurance, puisque Horizon ne prend aucune responsabilité pour l'expédition du produit jusqu'à sa réception acceptée. Veuillez joindre une preuve d'achat, une description détaillée des défauts ainsi qu'une liste de tous les éléments distincts envoyés. Nous avons de plus besoin d'une adresse complète, d'un numéro de téléphone (pour demander des renseignements) et d'une adresse de courriel.

### Garantie et réparations

Les demandes en garantie seront uniquement traitées en présence d'une preuve d'achat originale émanant d'un revendeur spécialisé agréé, sur laquelle figurent le nom de l'acheteur ainsi que la date d'achat. Si le cas de garantie est confirmé, le produit sera réparé. Cette décision relève uniquement de Horizon Hobby.

### Réparations payantes

En cas de réparation payante, nous établissons un devis que nous transmettons à votre revendeur. La réparation sera seulement effectuée après que nous ayons reçu la confirmation du revendeur. Le prix de la réparation devra être acquitté au revendeur. Pour les réparations payantes, nous facturons au minimum 30 minutes de travail en atelier ainsi que les frais de réexpédition. En l'absence d'un accord pour la réparation dans un délai de 90 jours, nous nous réservons la possibilité de détruire le produit ou de l'utiliser autrement.

**ATTENTION: nous n'effectuons de réparations payantes que pour les composants électroniques et les moteurs. Les réparations touchant à la mécanique, en particulier celles des hélicoptères et des voitures radiocontrôlées, sont extrêmement coûteuses et doivent par conséquent être effectuées par l'acheteur lui-même.**

## COORDONNÉES DE GARANTIE ET RÉPARATIONS

PAYS D'ACHAT	HORIZON HOBBY	ADRESSE E-MAIL / TÉLÉPHONE	ADRESSE
France	Service/Parts/Sales: Horizon Hobby SAS	infofrance@horizon-hobby.com +33 (0) 1 60 18 34 90	11 Rue Georges Charpak 77127 Lieusaint, France

## INFORMATION IC

Le présent appareil est conforme aux CNR d'Industrie Canada applicables aux appareils radio exempts de licence. L'exploitation est autorisée aux deux conditions suivantes : (1) l'appareil ne doit pas produire de brouillage, et (2) l'utilisateur de l'appareil doit accepter tout brouillage radioélectrique subi, même si le brouillage est susceptible d'en compromettre le fonctionnement.

## DÉCLARATION DE CONFORMITÉ DE L'UNION EUROPÉENNE :

CE Déclaration de conformité de l'union européenne : Horizon Hobby, LLC déclare par la présente que ce produit est en conformité avec les exigences essentielles et les autres dispositions de la RTTE, CEM, DBT Directive.

Une copie de la déclaration de conformité Européenne est disponible à : <http://www.horizonhobby.com/content/support-render-compliance>.

## ELIMINATION DANS L'UNION EUROPÉENNE

Ce produit ne doit pas être éliminé avec les ordures ménagères. Il est de la responsabilité de l'utilisateur de remettre le produit à un point de collecte officiel des déchets d'équipements électriques. Cette procédure permet de garantir le respect de l'environnement et l'absence de sollicitation excessive des ressources naturelles. Elle protège de plus le bien-être de la communauté humaine. Pour plus d'informations quant aux lieux d'éliminations des déchets d'équipements électriques, vous pouvez contacter votre mairie ou le service local de traitement des ordures ménagères.

**Pour obtenir la liste complète des pièces et une vue éclatée, allez sur la page du produit sur [www.horizonhobby.com](http://www.horizonhobby.com)**

## Enregistrez Votre ECX en Ligne

Enregistrez votre véhicule dès maintenant et soyez le premier à être informé des dernières options disponibles, des améliorations des produits et bien plus encore. Cliquez sur l'onglet support de la page de votre produit sur le site [www.ecxrc.com](http://www.ecxrc.com) pour obtenir toutes les informations.



## Avviso

Tutte le istruzioni, le garanzie e gli altri documenti pertinenti sono soggetti a cambiamenti a totale discrezione di Horizon Hobby, LLC. Per una documentazione aggiornata sul prodotto, visitare il sito [horizonhobby.com](http://horizonhobby.com) e fare clic sulla sezione Support del prodotto.

## Significato delle Avvertenze di Sicurezza

Nella documentazione relativa al prodotto vengono utilizzati i seguenti termini per indicare i vari livelli di pericolo potenziale durante l'uso del prodotto:

**AVVISO:** Istruzioni che, se non seguite, possono determinare la possibilità di danni alle cose e di lesioni lievi alle persone.

**ATTENZIONE:** Istruzioni che, se non seguite, possono determinare la probabilità di danni alle cose e la possibilità di lesioni alle persone.

**ATTENZIONE:** leggere e seguire tutte le istruzioni e avvertenze riportate nel manuale prima dell'impostazione o dell'uso. Un uso improprio del prodotto può causare danni al prodotto stesso, alle cose e/o lesioni alle persone.

Questo è un prodotto sofisticato per appassionati. Deve essere azionato in maniera attenta e responsabile e richiede alcune conoscenze basilari di meccanica. Non usare componenti non compatibili o alterare il prodotto in nessuna maniera al di fuori delle istruzioni fornite da Horizon Hobby LLC.

**Limite minimo di età assicurata: Almeno 14 anni. Non è un giocattolo.**

## Precauzioni per la sicurezza durante l'uso

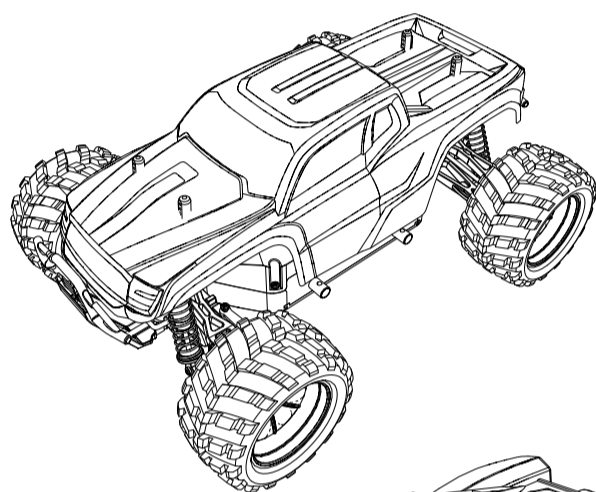
- » Come utenti di questo prodotto, siete responsabili per un utilizzo sicuro del prodotto, non mettendo in pericolo voi stessi o altri o non danneggiando il prodotto o le cose di altri.
- » Utilizzare il prodotto in spazi aperti, lontano da persone e cose.
- » Non usare mai il prodotto con delle componenti elettriche danneggiate.
- » Lasciare la trasmittente accesa quando il modello è acceso.
- » Lasciare raffreddare le componenti dopo l'uso prima di toccarle, i motori si scaldano durante l'uso.
- » Rimuovere le batterie dopo l'uso, se possibile.

**ATTENZIONE:** La mancata applicazione di queste cautele mentre si usa questo prodotto e il rispetto delle seguenti precauzioni, potrebbe portare ad un malfunzionamento del prodotto e/o ad invalidare la garanzia.

## Avvertenze e istruzioni per le batterie

**AVVERTENZA:** Non seguendo le seguenti avvertenze potrebbero verificarsi malfunzionamenti del prodotto, problemi elettrici, un eccessivo sviluppo di calore, INCENDI e in definitiva lesioni e danni materiali.

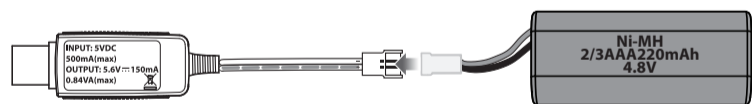
- » NON CARICARE MAI LE BATTERIE DURANTE LA NOTTE SENZA SUPERVISIONE.
- » Non caricare mai le batterie danneggiate. Se durante la carica o durante l'uso si forma un rigonfiamento della batteria, interrompere direttamente l'uso/la carica.
- » Usare sempre la batteria e il caricabatteria inclusi nella confezione. Sconnettere la batteria dopo la carica.
- » Caricare sempre le batterie lontano da materiali infiammabili in un luogo ben ventilato.
- » Non caricare, trasportare o conservare mai le batterie in ambienti estremamente caldi, freddi o esposti al sole (la temperatura consigliata è compresa tra 5 e 49 °C).



## Componenti

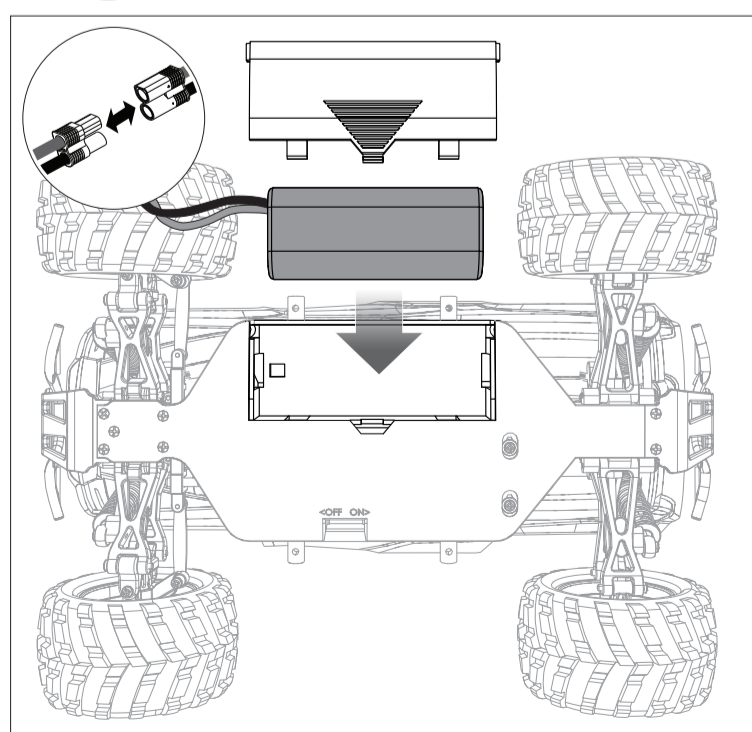
Carrozzeria	ECX® 1:24 4WD Ruckus® Monster Truck o ECX® 1:24 4WD Torment® Short Course Truck
Peso operativo	2kg
Trasmittitore	2.4GHz, 2 canali (ECX10003) (4 batterie AA)
Caricabatterie	100mA, 9V, Molex (DYN1060)
Batteria	220mAh Micro NiMH (DYNB0007)

## 1 Caricare la batteria del veicolo



Lasciare la batteria in carica circa 1 ora.  
La sequenza dei LED per il caricabatteria USB è Rossa – in carica. Verde = carica completa.

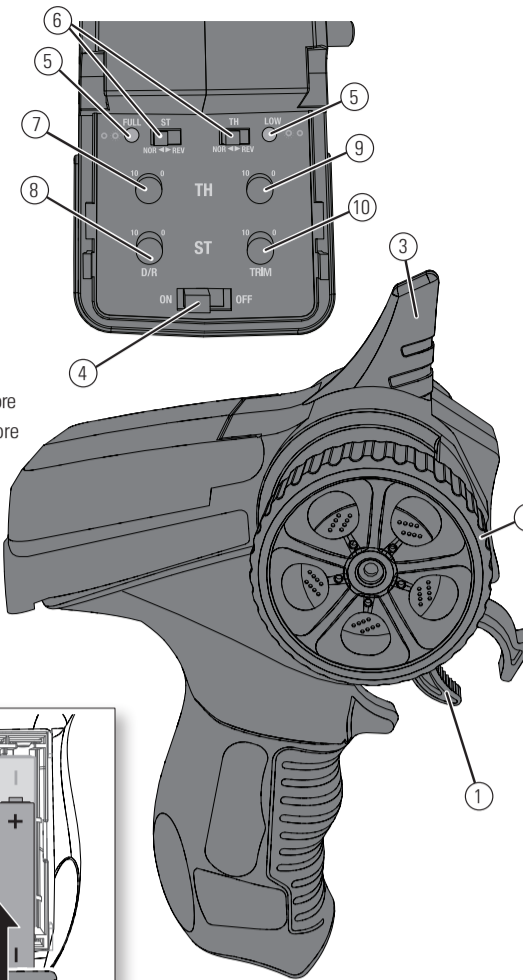
## 2 Installare la batteria del veicolo



**ATTENZIONE:** se si collega la batteria all'ESC con la polarità invertita, si causerà un danno all'ESC, alla batteria o ad entrambi. I danni causati dal collegamento invertito della batteria non sono coperti dalla garanzia.

## 3 Controlli del trasmettitore

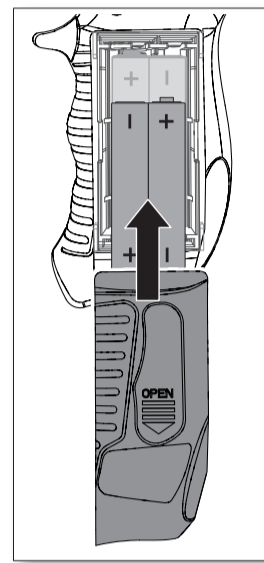
- 1. Grilletto** Comando motore controlla la velocità e il senso di marcia del modello
- 2. Volantino** Controlla la direzione (destra/sinistra) del modello
- 3. Antenna** Trasmette i segnali al modello
- 4. Interruttore ON/OFF** Accende o spegne il trasmettitore
- 5. Indicatore livello batteria**
  - » Rosso e verde accesi fissi—la tensione della batteria è buona (sopra i 4V)
  - » Rosso fisso—la tensione della batteria è ad un livello critico (sotto i 4V). Sostituire le pile del trasmettitore
- 6. Interruttore Reverse** Permette di cambiare il verso di movimento dello sterzo (ST. REV) o del motore (TH. REV). (Verificare che tutto sia corretto facendo un test con il radiocomando)
- 7. Riduttore corsa motore** Regola la corsa totale del motore
- 8. Riduttore corsa sterzo** Regola la corsa totale dello sterzo
- 9. TH Trim** Regolare il punto neutro dell'ESC
- 10. ST Trim** Regolare lo sterzo senza alcun comando dal volante per raddrizzare la corsa del veicolo



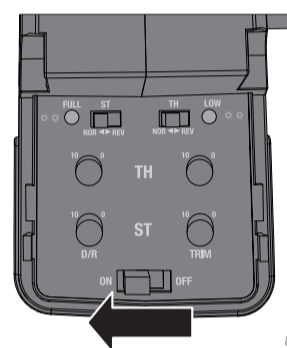
## 4 Installare le batterie del trasmettitore

**ATTENZIONE:** si raccomanda di ricaricare solo le batterie ricaricabili e non le pile alcaline, perché queste ultime si surriscaldano e potrebbero incendiarsi e scoppiare con evidenti danni e lesioni.

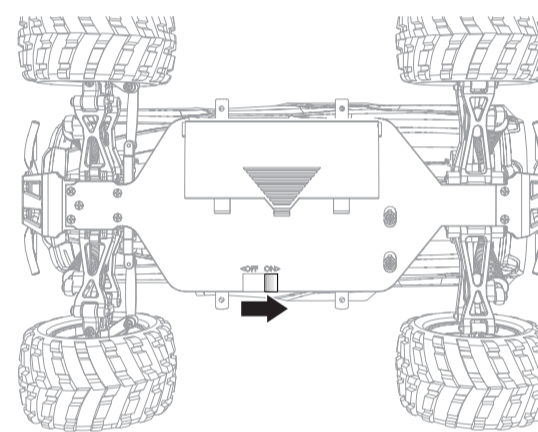
**ATTENZIONE:** Rischio di esplosione in caso venisse utilizzata una batteria non corretta. Disporre della batteria secondo le leggi del proprio stato.



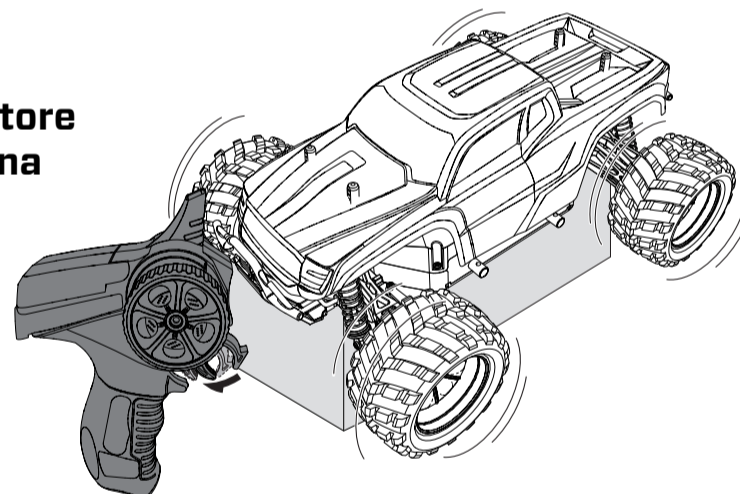
## 5 Accendere il trasmettitore



## 6 Accendere il veicolo

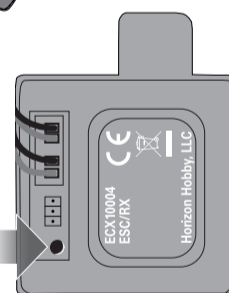


## 7 Provare i comandi del trasmettitore senza che le ruote della macchina tocchino terra

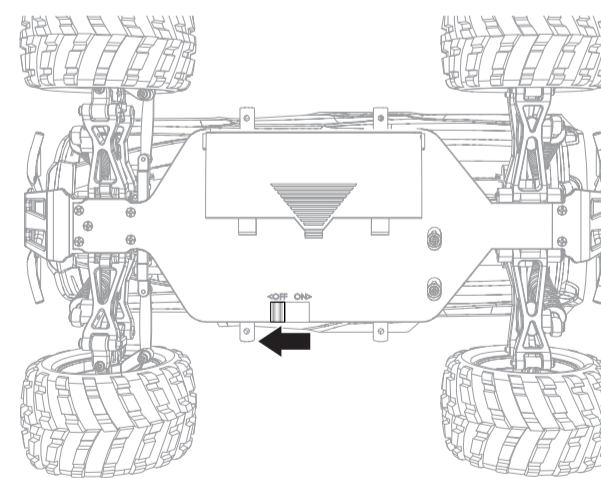


La vostra trasmittente ECX è connessa al veicolo già da fabbrica. Prima o poi potrebbe essere necessario rifare la connessione. Tenere premuto il tasto bind e accendere il veicolo (tasto piccolo sull'interruttore ON/OFF). La ricevente comincia a lampeggiare rosso. Accendere la trasmittente e l'ESC si connetterà in automatico.

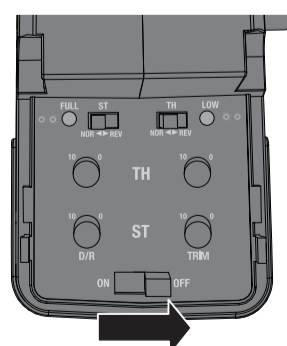
**Consiglio:** Usare il clip carrozzeria incluso nella confezione per premere il tasto bind che si trova protetto sotto la sua copertura impermeabile.



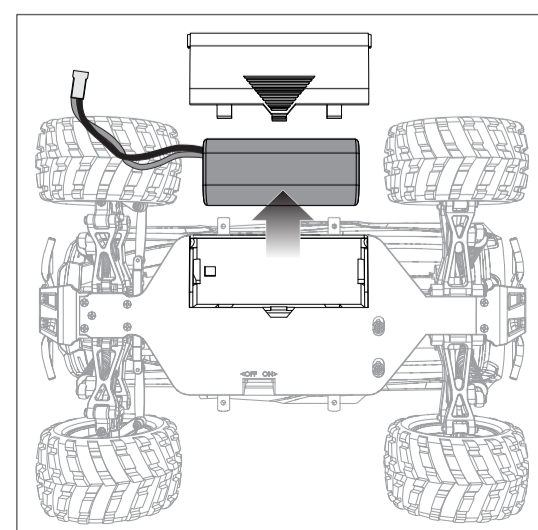
## 8 Spegner il veicolo



## 9 Spegner il trasmettitore



## 10 Togliere e ricaricare la batteria del veicolo



## PERIODO DI GARANZIA

Garanzia esclusiva - Horizon Hobby, LLC (Horizon) garantisce che i prodotti acquistati (il "Prodotto") sono privi di difetti relativi ai materiali e di eventuali errori di montaggio. Il periodo di garanzia è conforme alle disposizioni legali del paese in cui il prodotto è stato acquistato. Tale periodo di garanzia ammonta a 6 mesi e si estende ad altri 18 mesi dopo tale termine.

### Limiti della garanzia

(a) La garanzia è limitata all'acquirente originale (Acquirente) e non è cedibile a terzi. L'acquirente ha il diritto a far riparare o a far sostituire la merce durante il periodo di questa garanzia. La garanzia copre solo quei prodotti acquistati presso un rivenditore autorizzato Horizon. Altre transazioni di terze parti non sono coperte da questa garanzia. La prova di acquisto è necessaria per far valere il diritto di garanzia. Inoltre, Horizon si riserva il diritto di cambiare o modificare i termini di questa garanzia senza alcun preavviso e di escludere tutte le altre garanzie già esistenti.

(b) Horizon non si assume alcuna garanzia per la disponibilità del prodotto, per l'adeguatezza o l'idoneità del prodotto a particolari previsti dall'utente. È sola responsabilità dell'acquirente il fatto di verificare se il prodotto è adatto agli scopi da lui previsti.

(c) Richiesta dell'acquirente – spetta soltanto a Horizon, a propria discrezione riparare o sostituire qualsiasi prodotto considerato difettoso e che rientra nei termini di garanzia. Queste sono le uniche rivalse a cui l'acquirente si può appellare, se un prodotto è difettoso.

Horizon si riserva il diritto di controllare qualsiasi componente utilizzato che viene coinvolto nella rivalsa di garanzia. Le decisioni relative alla sostituzione o alla riparazione sono a discrezione di Horizon. Questa garanzia non copre danni superficiali o danni per cause di forza maggiore, uso errato del prodotto, un utilizzo che viola qualsiasi legge, regolamento o disposizione applicabile, negligenza, uso ai fini commerciali, o una qualsiasi modifica a qualsiasi parte del prodotto.

Questa garanzia non copre danni dovuti ad una installazione errata, ad un funzionamento errato, ad una manutenzione o un tentativo di riparazione non idonei a cura di soggetti diversi da Horizon. La restituzione del prodotto a cura dell'acquirente, o da un suo rappresentante, deve essere approvata per iscritto dalla Horizon.

### Limiti di danno

Horizon non si riterrà responsabile per danni speciali, diretti, indiretti o consequenziali; perdita di profitto o di produzione; perdita commerciale connessa al prodotto, indipendentemente dal fatto che la richiesta si basi su un contratto o sulla garanzia. Inoltre la responsabilità di Horizon non supera mai in nessun caso il prezzo di acquisto del prodotto per il quale si chiede la responsabilità. Horizon non ha alcun controllo sul montaggio, sull'utilizzo o sulla manutenzione del prodotto o di combinazioni di vari prodotti. Quindi Horizon non accetta nessuna responsabilità per danni o lesioni derivanti da tali circostanze. Con l'utilizzo e il montaggio del prodotto l'utente acconsente a tutte le condizioni, limitazioni e riserve di garanzia citate in questa sede. Qualora l'utente non fosse pronto ad assumersi tale responsabilità associata all'uso del prodotto, si suggerisce di restituire il prodotto intatto, mai usato e immediatamente presso il venditore.

### Indicazioni di sicurezza

Questo è un prodotto sofisticato di hobbistica e non è un giocattolo. Esso deve essere manipolato con cautela, con giudizio e richiede delle conoscenze basilari di meccanica e delle facoltà mentali di base. Se il prodotto non verrà manipolato in maniera sicura e responsabile potrebbero risultare delle lesioni, dei gravi danni a persone, al prodotto o all'ambiente circostante. Questo prodotto non è concepito per essere usato dai bambini senza una diretta supervisione di un adulto. Il manuale del prodotto contiene le istruzioni di sicurezza, di funzionamento e di manutenzione del prodotto stesso. È fondamentale leggere e seguire tutte le istruzioni e le avvertenze nel manuale prima di mettere in funzione il prodotto. Solo così si eviterà un utilizzo errato e di prevenire incidenti, lesioni o danni.

### Domande, assistenza e riparazioni

Il vostro negozio locale e/o luogo di acquisto non possono fornire garanzie di assistenza o riparazione senza previo colloquio con Horizon. questo vale anche per le riparazioni in garanzia. Quindi in tale caso bisogna interpellare un rivenditore, che si metterà in contatto subito con Horizon per prendere una decisione che vi possa aiutare nel più breve tempo possibile.

### Manutenzione e riparazione

Se il prodotto deve essere ispezionato o riparato, si prega di rivolgersi ad un rivenditore specializzato o direttamente ad Horizon. il prodotto deve essere imballato con cura. Bisogna far notare che i box originali solitamente non sono adatti per effettuare una spedizione senza subire alcun danno. Bisogna effettuare una spedizione via corriere che fornisce una tracciabilità e un'assicurazione, in quanto Horizon non si assume alcuna responsabilità in relazione alla spedizione del prodotto. Inserire il prodotto in una busta assieme ad una descrizione dettagliata degli errori e ad una lista di tutti i singoli componenti spediti. Inoltre abbiamo bisogno di un indirizzo completo, di un numero di telefono per chiedere ulteriori domande e di un indirizzo e-mail.

### Garanzia a riparazione

Le richieste in garanzia verranno elaborate solo se è presente una prova d'acquisto in originale proveniente da un rivenditore specializzato autorizzato, nella quale è ben visibile la data di acquisto. Se la garanzia viene confermata, allora il prodotto verrà riparato o sostituito. Questa decisione spetta esclusivamente a Horizon Hobby.

### Riparazioni a pagamento

Se bisogna effettuare una riparazione a pagamento, effettueremo un preventivo che verrà inoltrato al vostro rivenditore. La riparazione verrà effettuata dopo l'autorizzazione da parte del vostro rivenditore. La somma per la riparazione dovrà essere pagata al vostro rivenditore. Le riparazioni a pagamento avranno un costo minimo di 30 minuti di lavoro e in fattura includeranno le spese di restituzione. Qualsiasi riparazione non pagata e non richiesta entro 90 giorni verrà considerata abbandonata e verrà gestita di conseguenza.

**ATTENZIONE:** Le riparazioni a pagamento sono disponibili solo sull'elettronica e sui motori. Le riparazioni a livello meccanico, soprattutto per gli elicotteri e le vetture RC sono molto costose e devono essere effettuate autonomamente dall'acquirente.

## GARANZIA E ASSISTENZA INFORMAZIONI PER I CONTATTI

STATO IN CUI IL PRODOTTO È STATO ACQUISTATO	HORIZON HOBBY	INDIRIZZO E-MAIL/TELEFONO	INDIRIZZO
Germania	Horizon Technischer Service	service@horizon-hobby.de +49 (0) 4121 2655 100	Christian-Junge-Straße 1 25337 Elmshorn, Germania
	Sales: Horizon Hobby GmbH		

## DICHIARAZIONE DI CONFORMITÀ EU:

Horizon Hobby, LLC con la presente dichiara che il prodotto è conforme ai requisiti essenziali e ad altre disposizioni rilevanti del R&TTE, EMC e direttiva LVD.

Una copia della dichiarazione di conformità per l'Unione Europea è disponibile a: <http://www.horizonhobby.com/content/support-render-compliance>.

## SMALTIMENTO ALL'INTERNO DELL'UNIONE EUROPEA

Questo prodotto non deve essere smaltito assieme ai rifiuti domestici. Invece è responsabilità dell'utente lo smaltimento di tali rifiuti, che devono essere portati in un centro di raccolta designato per il riciclaggio di rifiuti elettronici. Con tale procedimento si aiuterà a preservare l'ambiente e le risorse non verranno sprecate. In questo modo si proteggerà il benessere dell'umanità. Per maggiori informazioni sui punti di riciclaggio si prega di contattare il proprio ufficio locale o il servizio di smaltimento rifiuti.

**Per un elenco di ricambi completo e un disegno esploso, visitare la pagina del prodotto su [www.horizonhobby.com](http://www.horizonhobby.com)**

## Registrate Online il Vostro ECX

Per avere tutte le informazioni aggiornate sul prodotto visitate [www.ecxc.com](http://www.ecxc.com) cliccando sulla tab Support oggi stesso e seguire le istruzioni per registrare il vostro prodotto.